

Bergoz Instrumentation  
Espace Allondon Ouest  
01630 Saint Genis Pouilly, France  
Tel.: +33-450.426.642  
Fax: +33-450.426.643

TECH NOTE  
**TN-IPCT-10.10.09**

Object: **IPCT performance recovery after primary current overload**

Date: October 6-10, 2009

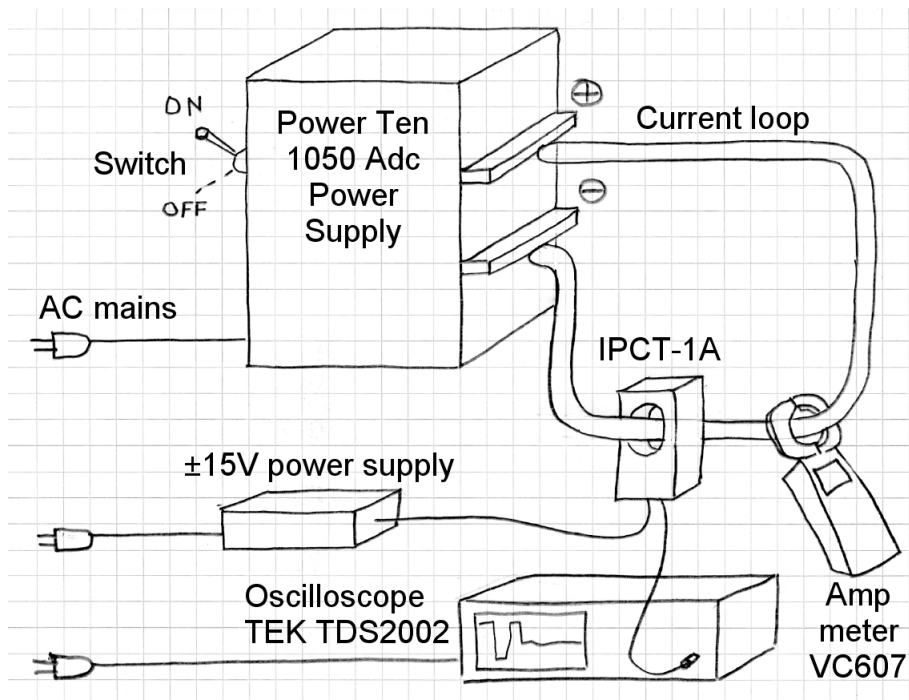
By: Rémi Lubès, report by Julien Bergoz

### Conclusion

*IPCT-1A returns to <100uA offset <200 ms after overload is removed.*

Comment: It was not possible to establish whether the current measured by IPCT after overload was due to aftermath of overload, or remnant current from power supply unit.

### Test setup

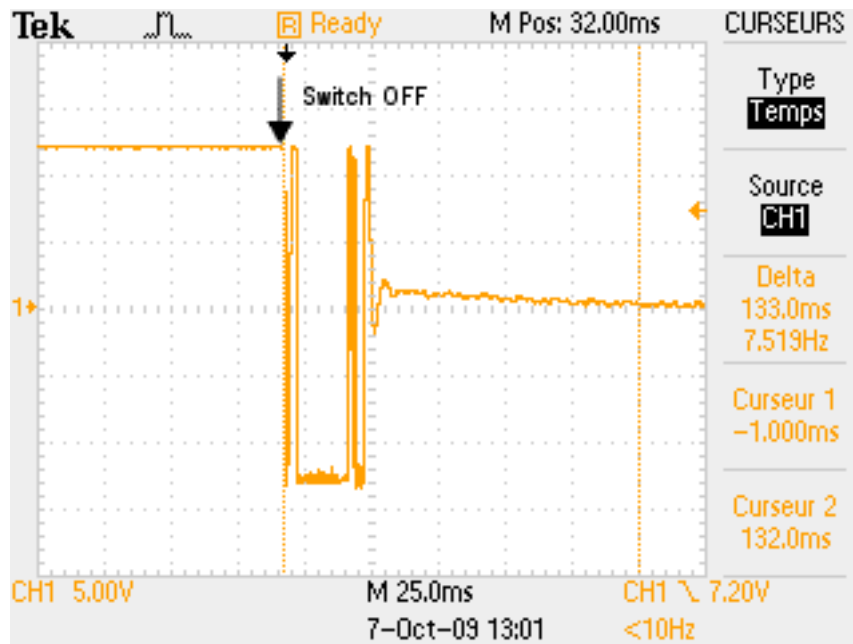


### Test protocol

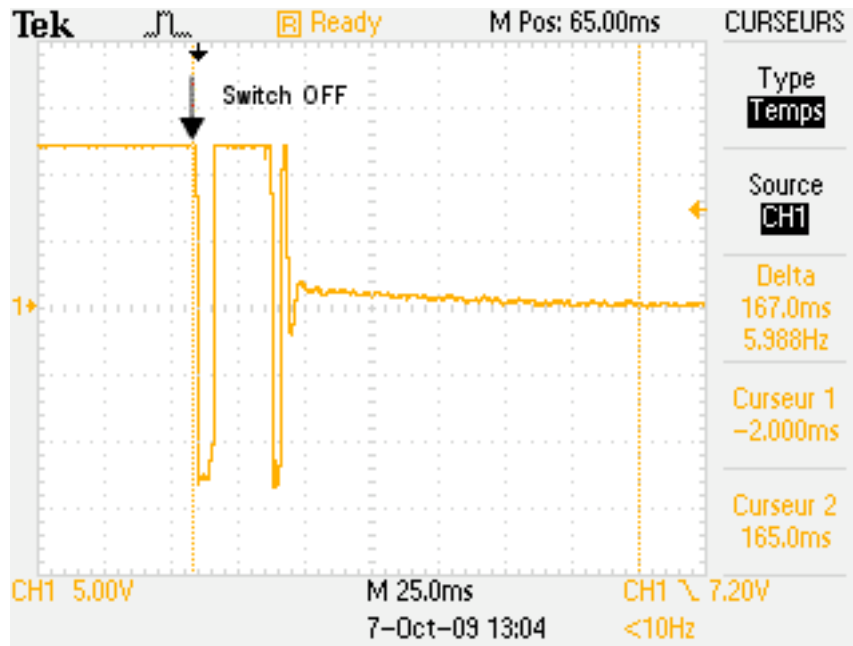
Apply DC overload current for several minutes from 50Adc to 1050Adc successively.  
Switch off DC power supply. Record the IPCT output voltage.  
*Observe the IPCT voltage swings up and down before it stabilises.*



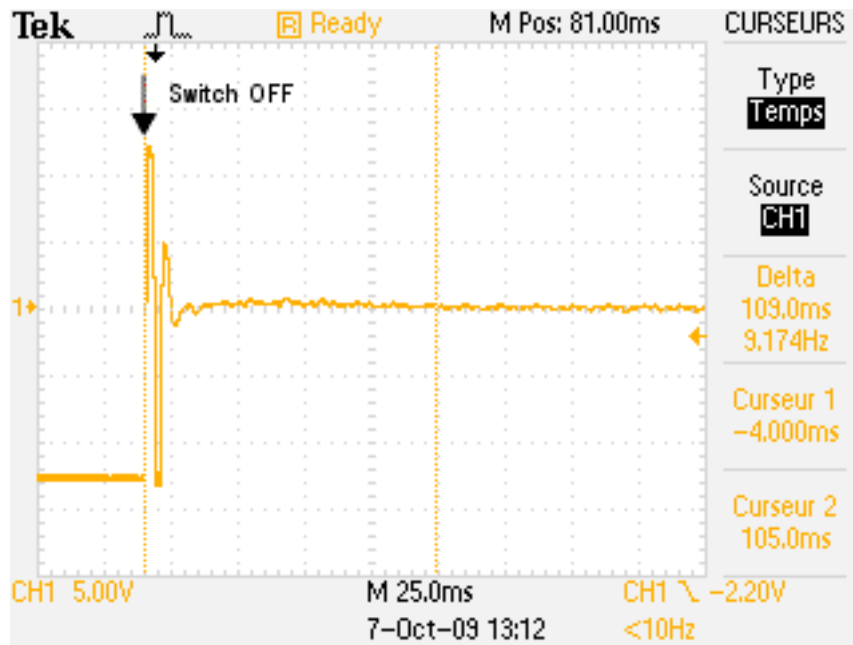
Recovery test after **50 Adc** for several minutes



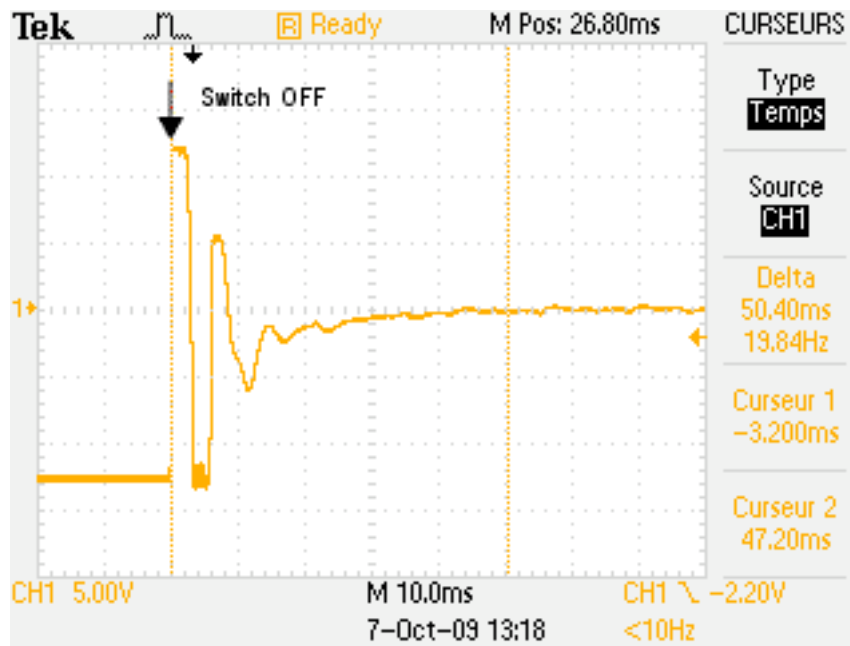
Recovery test after **100 Adc** for several minutes



Recovery test after **500 Adc** for several minutes



Recovery test after **800 Adc** for several minutes



Recovery test after **1050 Adc** for several minutes

