



Power Electronic Measurements

Distributed By:

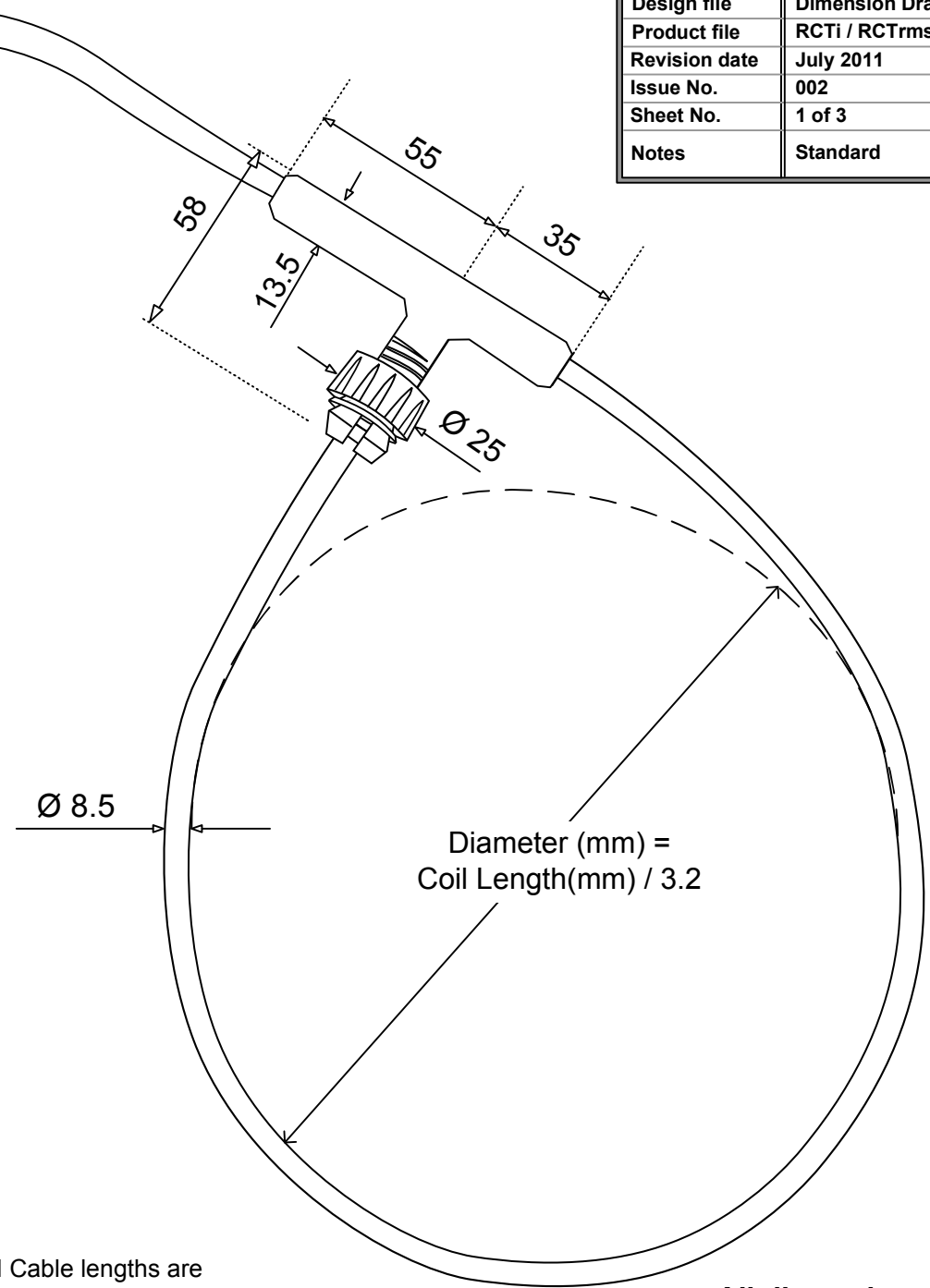
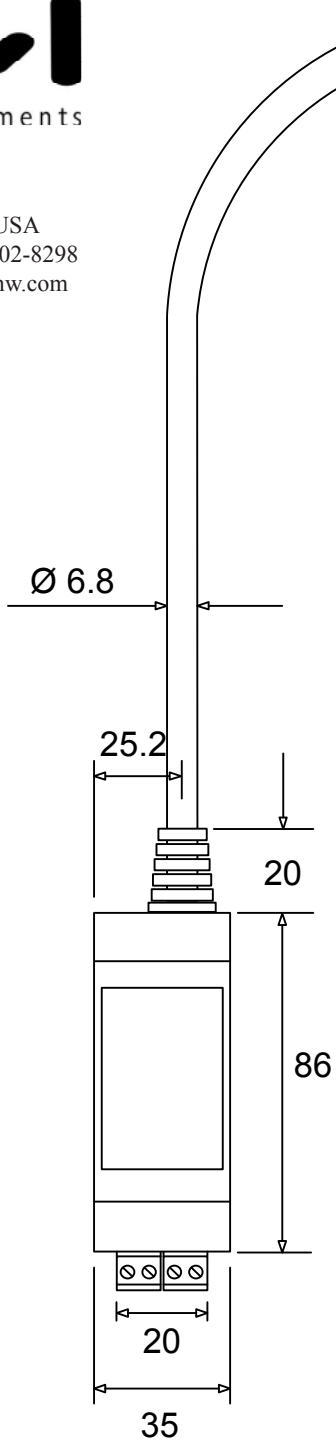
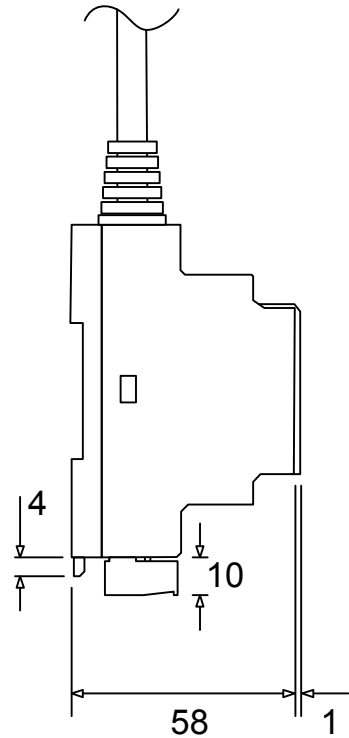
GMW Associates

955 Industrial Road, San Carlos, CA, 94070 USA

PHONE: +1 650-802-8292 FAX: +1 650-802-8298

EMAIL: sales@gmw.com WEB: www.gmw.com

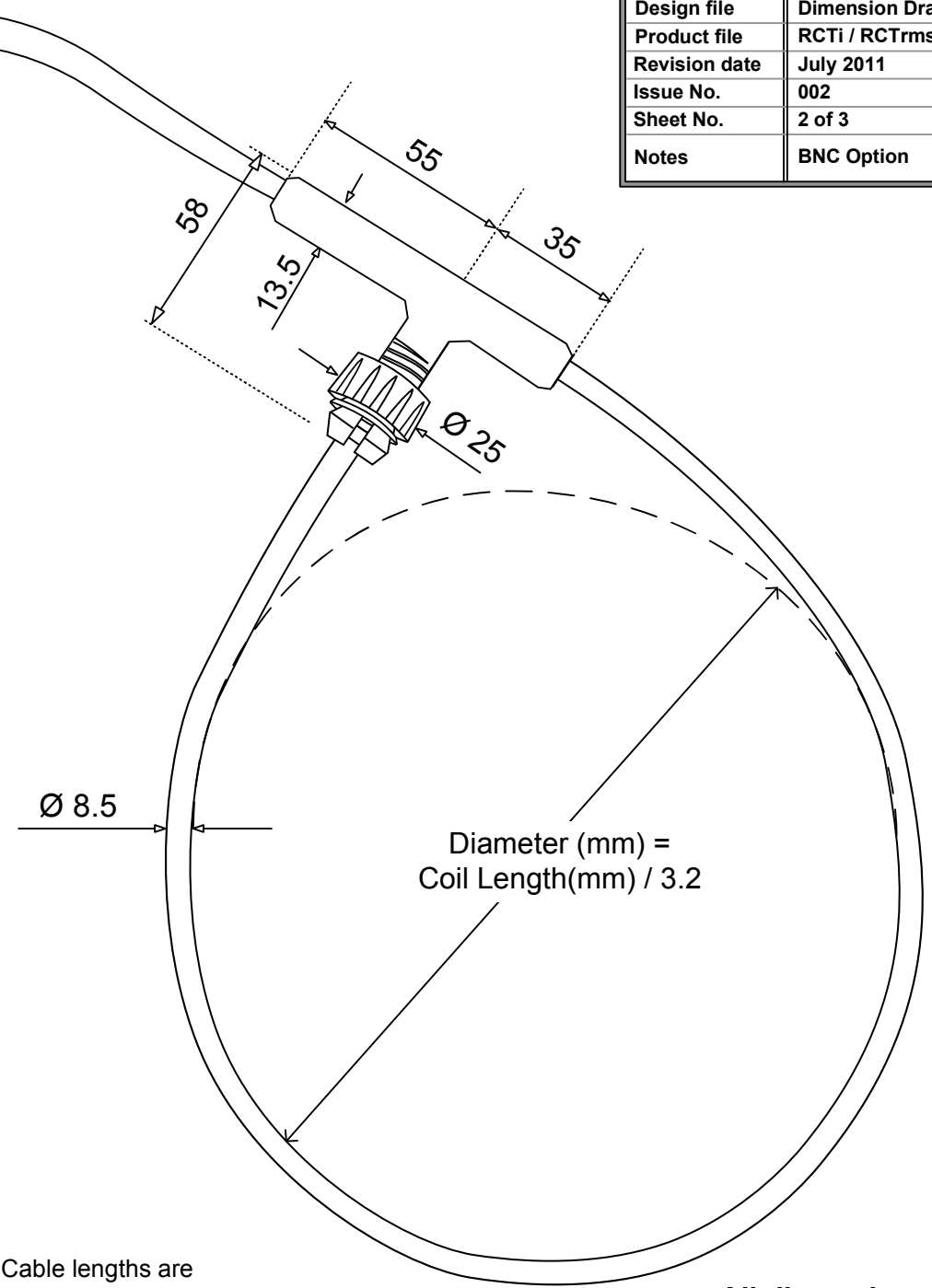
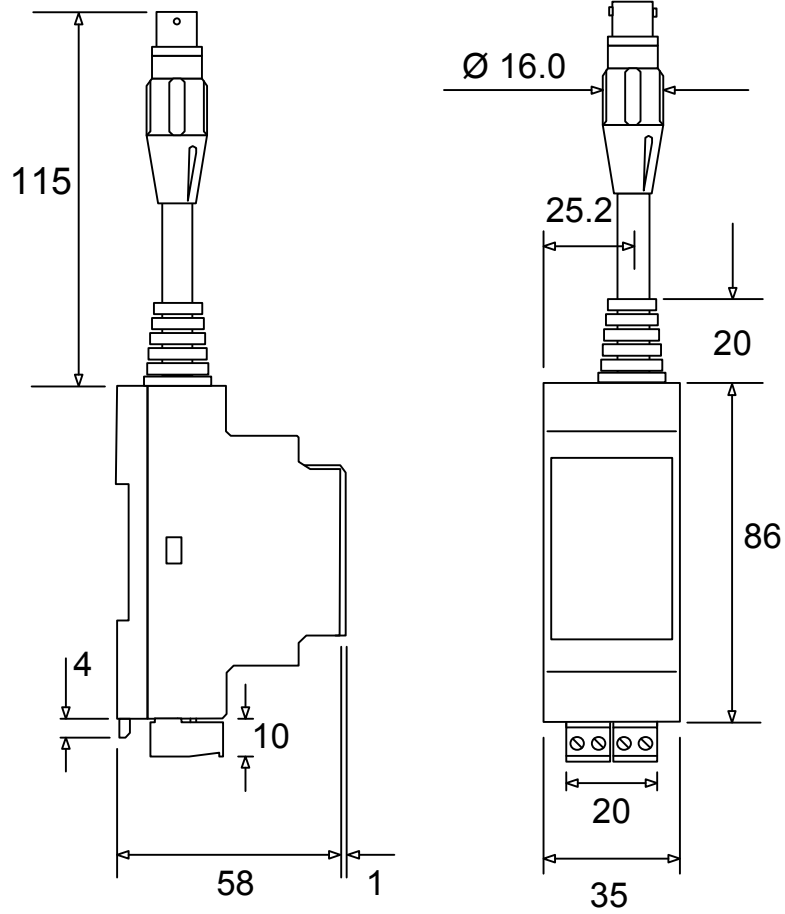
Design file	Dimension Drawing
Product file	RCTi / RCTrms
Revision date	July 2011
Issue No.	002
Sheet No.	1 of 3
Notes	Standard



Coil and Cable lengths are selectable from our standard range or made to specific requirements

**All dimensions mm
Drawing Not To Scale**

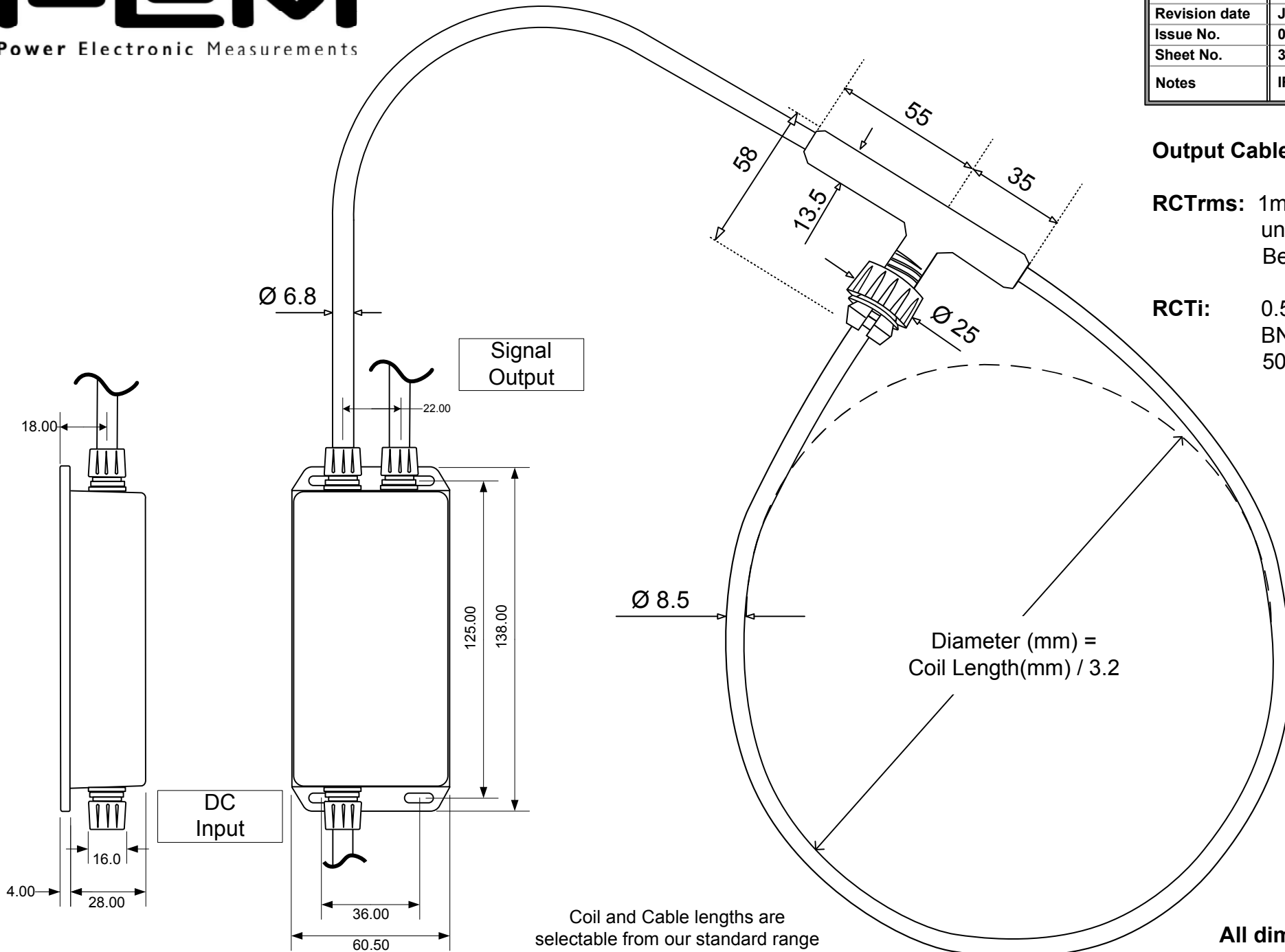
Design file	Dimension Drawing
Product file	RCTi / RCTrms
Revision date	July 2011
Issue No.	002
Sheet No.	2 of 3
Notes	BNC Option



Coil and Cable lengths are selectable from our standard range or made to specific requirements

**All dimensions mm
Drawing Not To Scale**

Design file	Dimension Drawing
Product file	RCTi / RCTrms
Revision date	July 2011
Issue No.	002
Sheet No.	3 of 3
Notes	IRF Option



Output Cable Types:

RCTrms: 1m
un-terminated
Belden 9105

RCTi: 0.5m
BNC Terminated
50 Ω Coax

Coil and Cable lengths are selectable from our standard range or made to specific requirements

**All dimensions mm
Drawing Not To Scale**