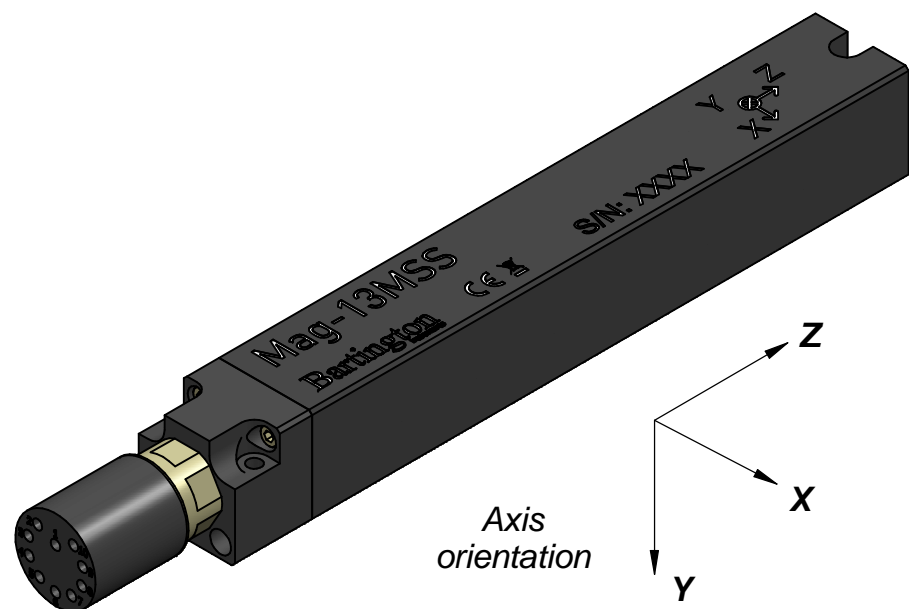
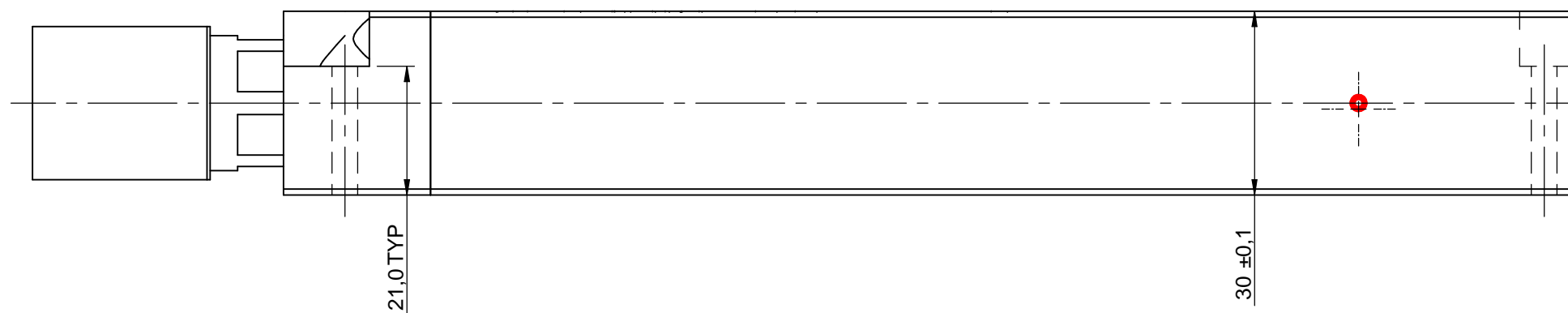
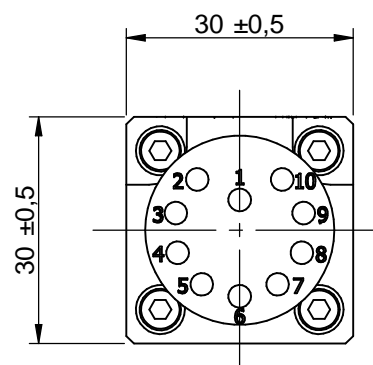
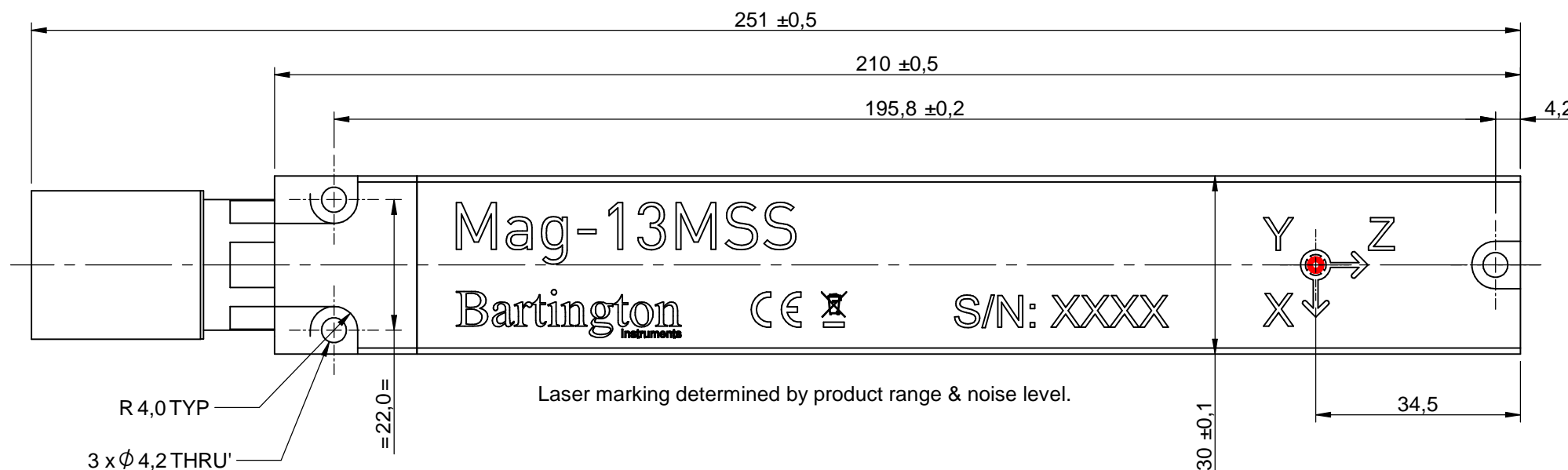


Connection Table	
SubConn MCBH10FNM	
Pin	Function
1	X+
2	Y+
3	Z+
4	PGND
5	SGND
6	V+
7	V-
8	TEST
9	N.C.
10	Shield



Note:
 Recommended mounting hardware: 3 x M4 x 30mm Socket Head PEEK Screws
 ● Centre of sensing elements

	Mag-13MSS Outline Drawing	Third Angle Projection	Project D1802
		Dimensions in mm	Size A3 Sheet 1/1
THIS DOCUMENT AND THE INFORMATION CONTAINED IN IT IS COMMERCIAL IN CONFIDENCE AND © BARTINGTON INSTRUMENTS LTD AND/OR ITS LICENSORS. NEITHER MAY BE REPRODUCED, COPIED OR TRANSMITTED TO ANY THIRD PARTY, IN EACH CASE IN ANY MEDIUM, WITHOUT THE PRIOR WRITTEN PERMISSION OF BARTINGTON INSTRUMENTS LTD.	Revisions New style laser marking. Pin 9 changed to "N.C."	Created by <i>Nicholas Avery</i>	24/04/2018
		Modified by <i>Chloe Fillary</i>	22/07/2019
		Approved by <i>Nicholas Avery</i>	22/07/2019
Drawing No. DR4379		Issue 3	DCN No. 1829

BI OUTLINE DRAFT A3 v9