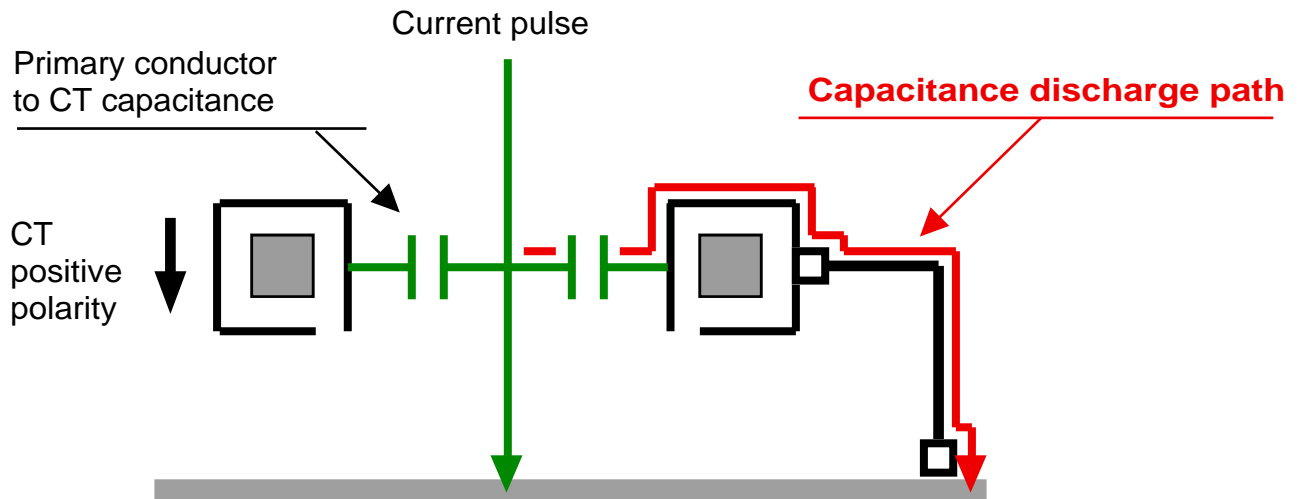
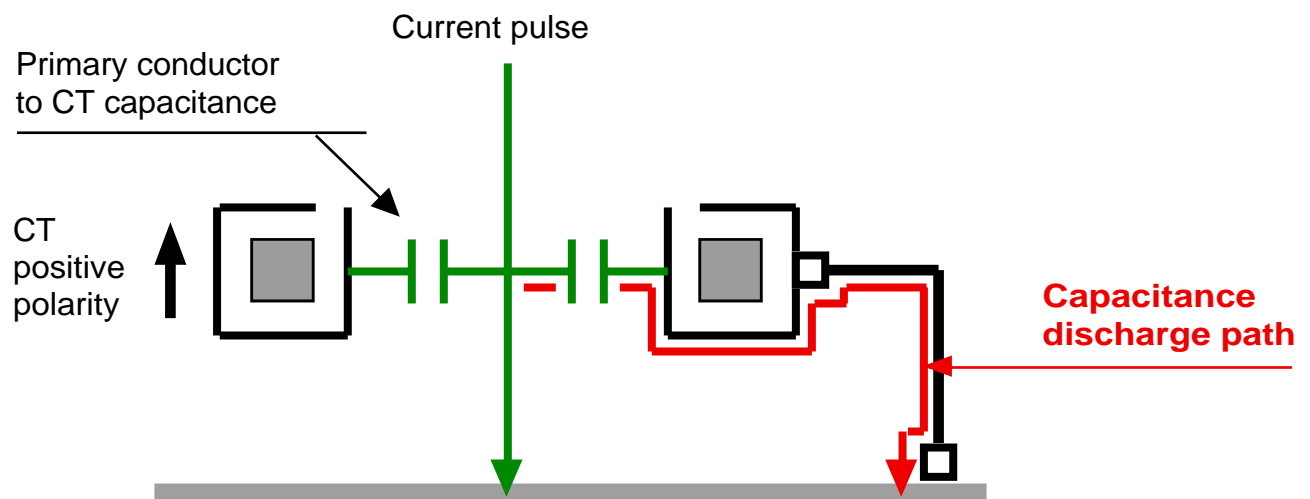


CT inside the capacitive coupling discharge path



The parasitic capacitance between the primary conductor and the CT shell gets charged
The CT core, being *inside* the current loop, measures the parasitic capacitive discharge

CT outside the capacitive coupling discharge path



The parasitic capacitance between the primary conductor and the CT shell gets charged
The CT core, being *outside* the current loop, ignores the parasitic capacitive discharge

JB/revised 15.12.2004