



AK8776

Hall IC for Pulse Encoder

Overview

AK8776 is a Hall effect latch which detects both “vertical” and “horizontal” (perpendicular and parallel to the marking side of the package) magnetic field at the same time and outputs the pulse (F) and rotational direction (D). AK8776 is for use in portable devices which uses rotational detection system or incremental pulse encoder such as jog dial utilized for input devices.

Features

- 1.6 to 5.5V operation
- Bop, Brp(Vertical, Horizontal) $\pm 1.5\text{mT}$ (Typ.), Highly sensitive
- Low power operation : Average $90\mu\text{A}$ (Typ.) @ $V_{\text{DD}}=3\text{V}$
- Two Output: F-Output (Pulse count), D-Output (Direction of rotation)
- Small package: SOP-4pin, Halogen free

Block Diagram

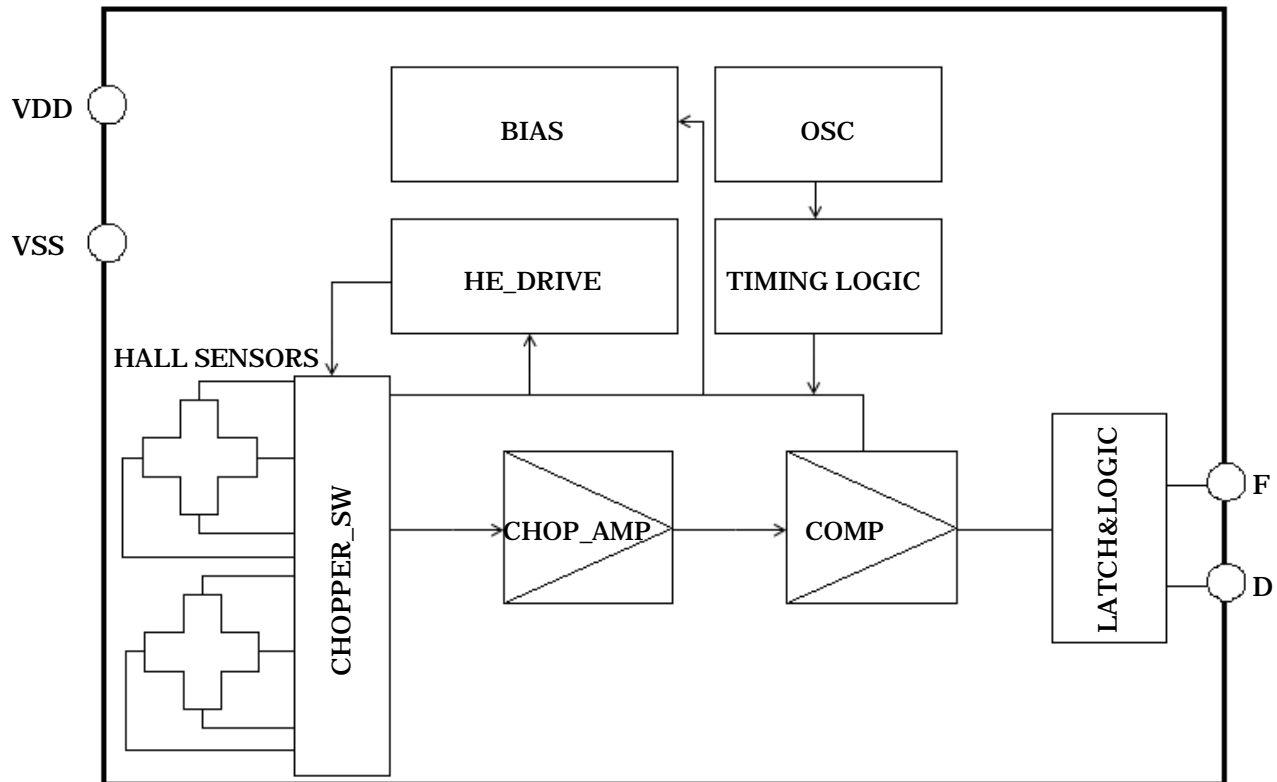


Figure 1. Block diagram

Circuit Configuration

Table 1. Circuit configuration

Block	Function
HALL SENSORS	Two Hall elements fabricated by CMOS process.
CHOPPER_SW	Perform chopping in order to cancel the offset of Hall sensor.
CHOP_AMP	Amplifies two Hall sensor output voltage with summation and subtraction circuit.
COMP	Hysteresis comparator.
BIAS	Generates bias current to other circuits.
HE_DRIVE	Generates bias current for Hall sensors.
OSC	Generates operating clock.
TIMING LOGIC	Generates timing signal required for Chopper SW, AMP and COMP.
LATCH & LOGIC	Logical circuits and CMOS output buffer.

Pin/Function

Table 2. Description of pin name and function

Pin No.	Pin name	I/O	Function	Note
1	VDD	–	Power supply pin	
2	F	O	Output F (Pulse) pin	CMOS output
3	D	O	Output D (Direction) pin	CMOS output
4	VSS	–	Ground pin	

Absolute Maximum Ratings

Table 3. Absolute maximum ratings

Parameter	Symbol	Min.	Max.	Unit	Note
Power supply voltage	V_{DD}	–0.3	+6.5	V	
Output current	I_{OUT}	–0.5	+0.5	mA	F,D pin
Storage temperature	T_{STG}	–40	+125	°C	

Note) Stress beyond these listed values may cause permanent damage to the device.

Recommended Operating Conditions

Table 4. Recommended operating conditions

Parameter	Symbol	Min.	Typ.	Max.	Unit
Power supply voltage	V_{DD}	1.6	3.0	5.5	V
Operating temperature	T_a	–30		+85	°C

Electrical Characteristics

Table 5. Electrical characteristics ($T_a=25^\circ\text{C}$, $V_{DD} = 3.0\text{V}$)

Parameter	Symbol	Min.	Typ.	Max.	Unit	Note
Current consumption	I_{DD}		90	210	μA	Average
High level output Voltage	V_{OH}	$V_{DD}-0.4$			V	F,D pin, $I_{OUT} = -0.5\text{mA}$
Low level output Voltage	V_{OL}			0.4	V	F,D pin, $I_{OUT} = +0.5\text{mA}$
Pulse drive period	T_{PD1}	0.5	1.0	2.0	ms	
Pulse drive duration time	T_{PD2}	12.2	24.4	48.8	μs	

Note) Internal data is determined just before the internal circuit turns off. And after 6.1 μs (Typ.), the output changes.

Magnetic Characteristics

The output F and D is processed signals from internal signal A and B which is determined by the applied magnetic field and threshold level BopV, BrpV, BopH and BrpH as follows.

Table 6. Magnetic characteristics(Ta = 25°C, V_{DD} = 3.0V)

Parameter	Symbol	Min.	Typ.	Max.	Unit	Note
Vertical magnetic field operating point	BopV		1.5	4.0	mT	(*1)
Vertical magnetic field releasing point	BrpV	-4.0	-1.5		mT	(*1)
Horizontal magnetic field operating point	BopH		1.5	4.0	mT	(*2)
Horizontal magnetic field releasing point	BrpH	-4.0	-1.5		mT	(*2)
Hysteresis	BhV, BhH		3.0		mT	(*1), (*2)

(*1) Horizontal magnetic flux density is zero.

(*2) Vertical magnetic flux density is zero.

Operational Characteristics

AK8776 detects the “vertical” (perpendicular to the marking side of the package) magnetic field, and the resulting internal signal A changes state. When the magnetic field is more positive than B_{opV} , the internal signal A changes to ‘Low’ state. And it is kept while the magnetic field remains more positive than B_{rpV} . When the magnetic field drops below B_{rpV} , the internal signal A changes to ‘High’ state. Those threshold magnetic flux density levels are defined in Table 6.

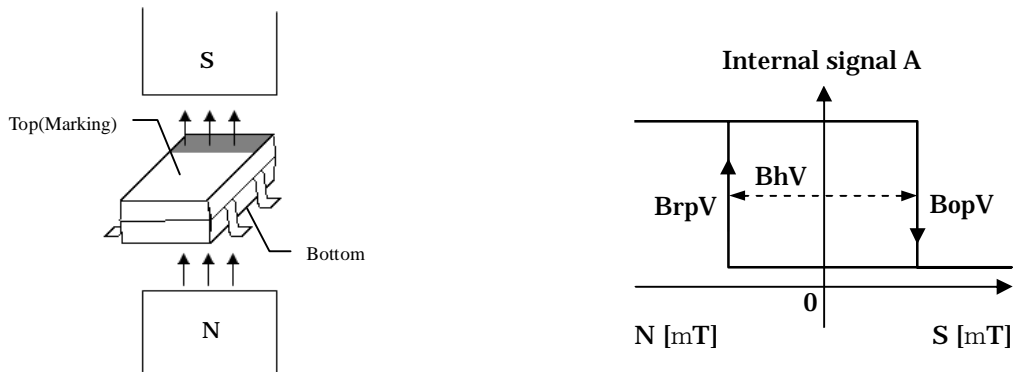


Figure 2. Switching behavior of internal signal A when vertical magnetic field is applied

AK8776 detects “horizontal” (parallel to the marking side of the package) magnetic field, and the resulting internal signal B changes state. When the magnetic field is more positive than B_{opH} , the internal signal B changes to ‘Low’ state. And it is kept while the magnetic field remains more positive than B_{rpH} . When the magnetic field drops below B_{rpH} , the internal signal B changes to ‘High’ state. Those threshold magnetic flux density levels are defined in Table 6.

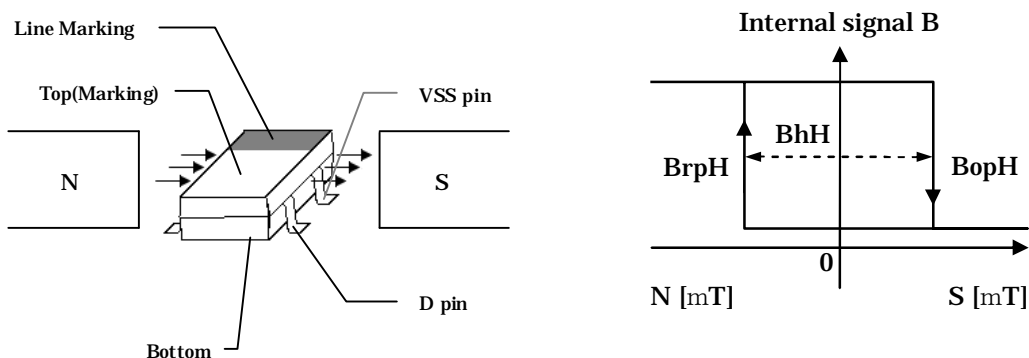


Figure 3. Switching behavior of internal signal B when horizontal magnetic field is applied

Behaviors of internal signal A,B and output signal F, D when a rotating magnetic field is applied on AK8776

F signal (pulse) is correspond to the result of internal signal A and B. And D signal (direction) is given by looking up the state of signal A and B.

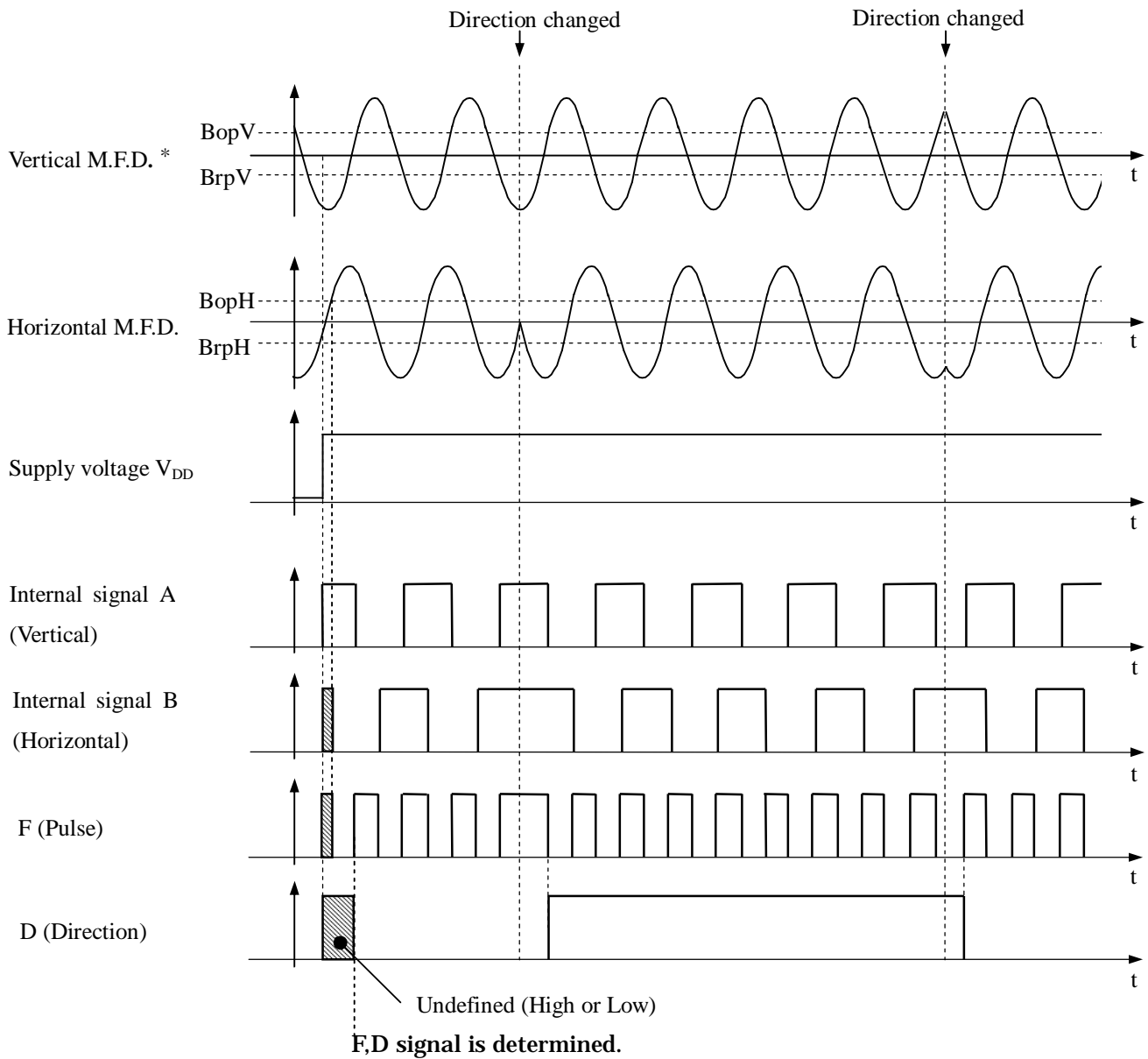


Figure 4. Behaviors of internal signal A,B and output signal F, D when a rotating magnetic field is applied on AK8776

*M.F.D. is Magnetic Flux Density.

Note) D signal is determined after one pulse sent out of F signal. The section which the output status is undefined appears only in the starting up of this device.

Functional Timing

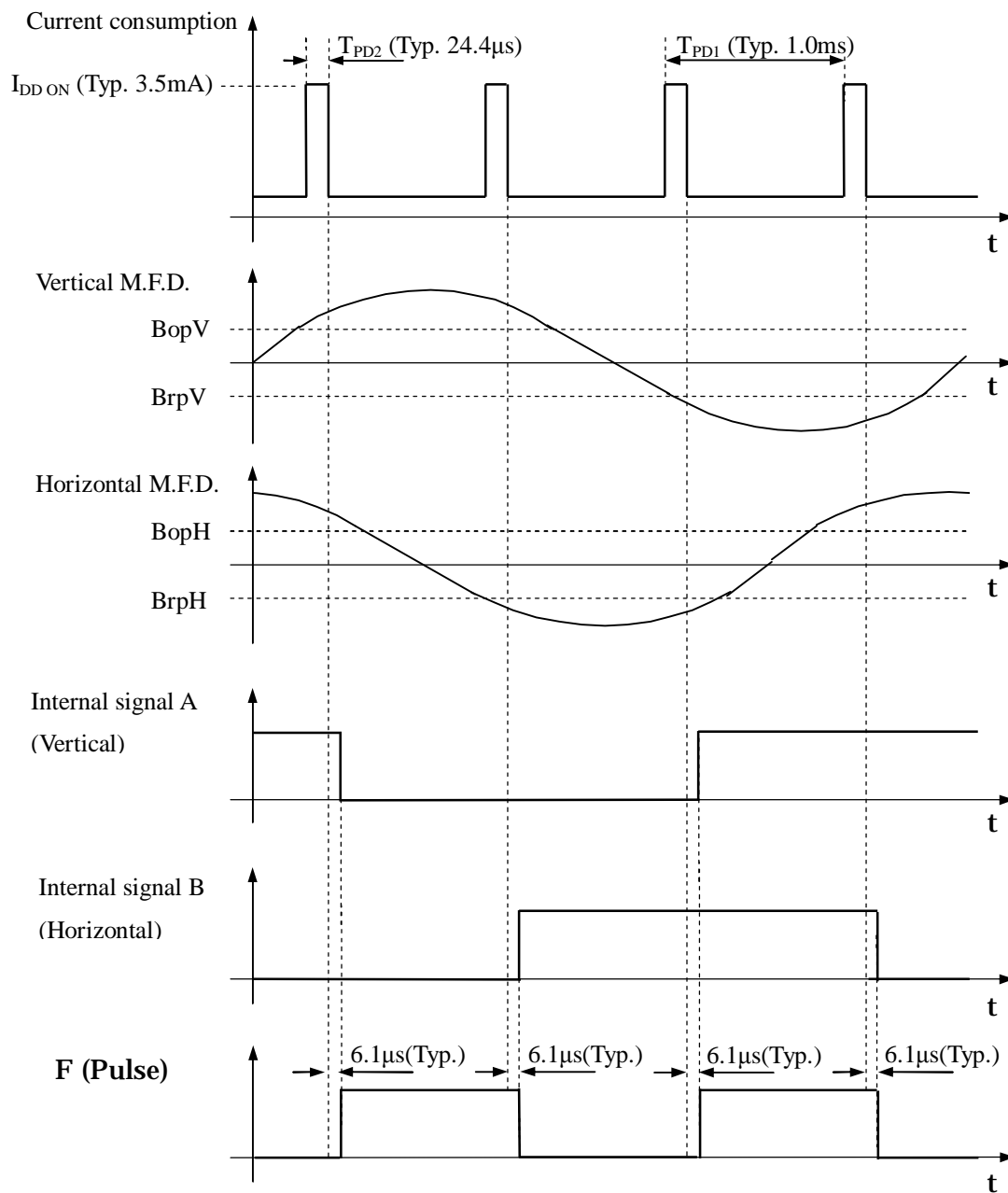


Figure 5. The timing chart of current consumption and transition timing of internal and output signal

Note) $V_{DD}=3.0V$. Output signal F and D are changed at the same time.

Typical Characteristic Data (for reference)

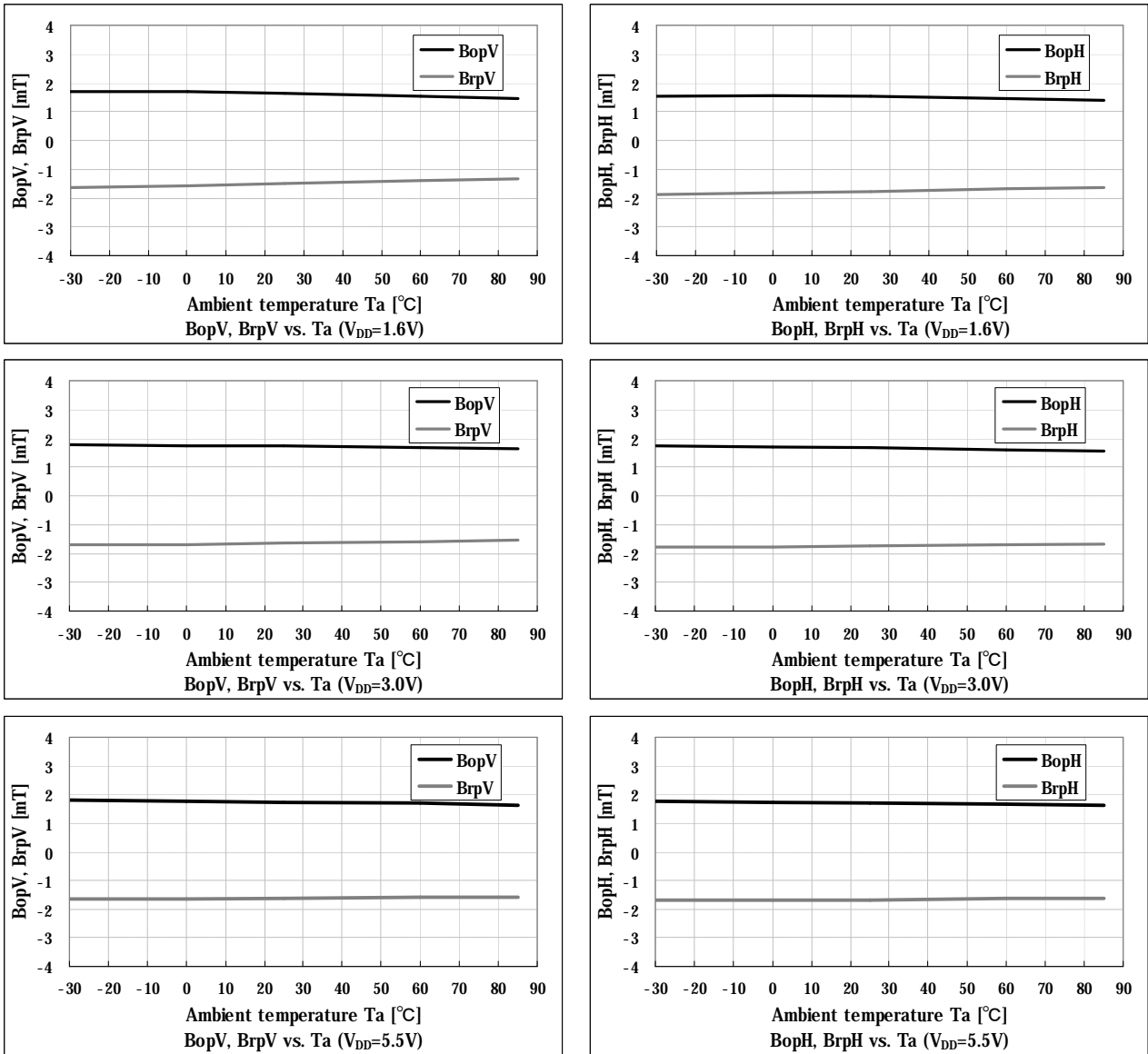


Figure 6. Temperature dependence of sensitivity

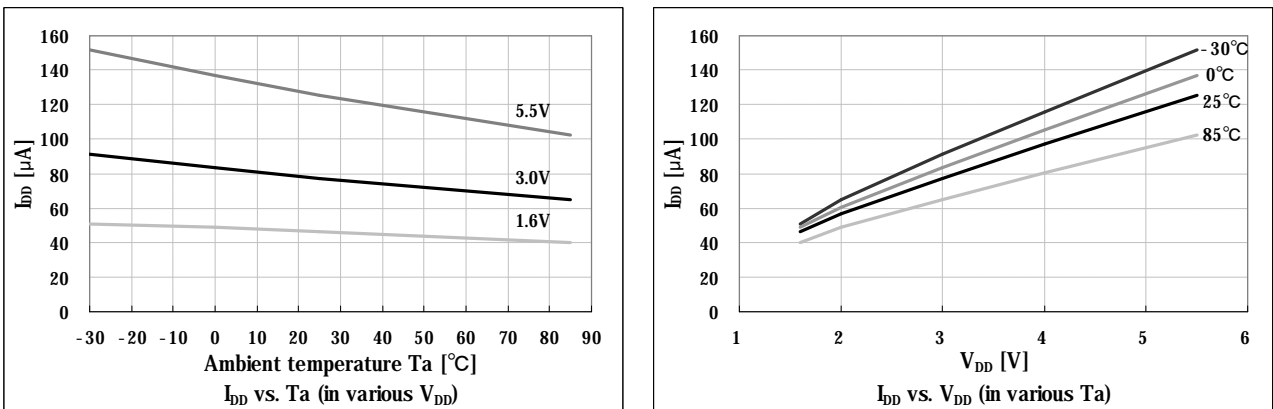


Figure 7. Temperature dependence of current consumption

Package

Unit in mm

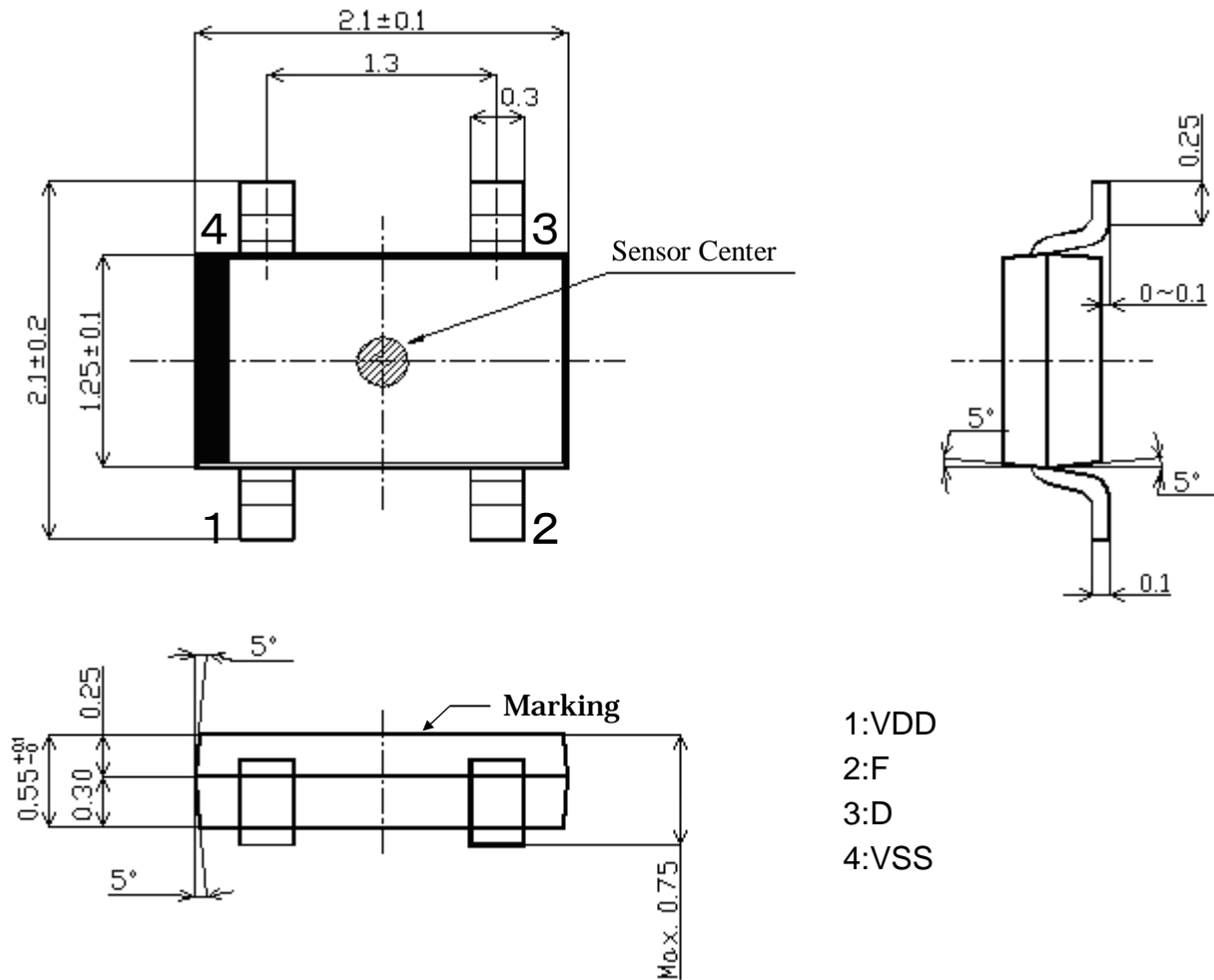


Figure 8. Package dimensions

- Note 1) The center of the sensor is located within the $\phi 0.3\text{mm}$ circle.
 Note 2) The tolerances of dimensions with no mentions are $\pm 0.1\text{mm}$.
 Note 3) Coplanarity: The differences between standoff of terminals are max. 0.1mm .
 Note 4) The sensor part is located $0.4\text{mm} \pm 0.1\text{mm}$ far from marking surface.

Material of terminals: Cu alloy

Material of plating for terminals: Sn 100%

Thickness of plating for terminals: $10\mu\text{m}$ (Typ.)

Marking

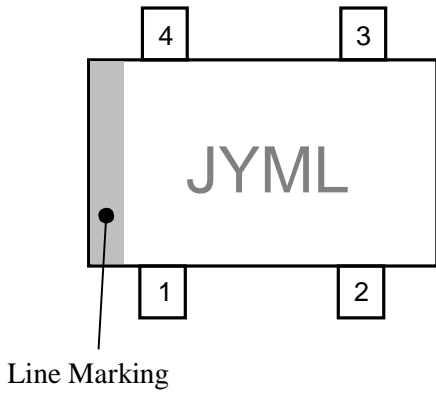


Figure 9. Marking

Marking is performed by laser

Product name : J (AK8776)

Date code : YML

Y : Last one digit of manufactured year (0~ 9)

M : Manufactured month

Jan.	C	Jul.	J
Feb.	D	Aug.	K
Mar.	E	Sept.	L
Apr.	F	Oct.	M
May.	G	Nov.	N
Jun.	H	Dec.	P

L : Lot(1~ 9,A~ Z)

Recommended External Circuit

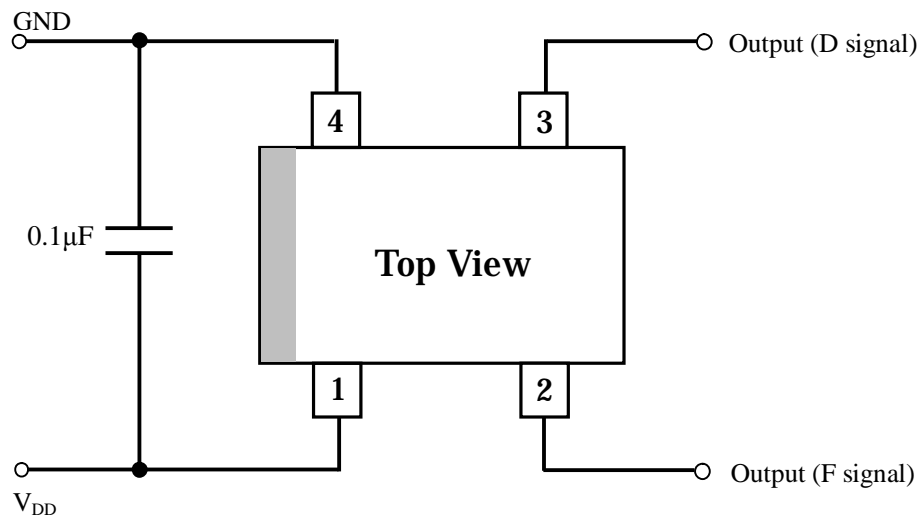


Figure 10. Recommended external circuit

Distributed By: 955 Industrial Road, San Carlos, CA, 94070 USA
GMW Associates PHONE: +1 650-802-8292 FAX: +1 650-802-8298 EMAIL: sales@gmw.com WEB: www.gmw.com

IMPORTANT NOTICE

- l These products and their specifications are subject to change without notice. When you consider any use or application of these products, please make inquiries the sales office of Asahi Kasei Microdevices Corporation (AKM) or authorized distributors as to current status of the products.
- l Descriptions of external circuits, application circuits, software and other related information contained in this document are provided only to illustrate the operation and application examples of the semiconductor products. You are fully responsible for the incorporation of these external circuits, application circuits, software and other related information in the design of your equipments. AKM assumes no responsibility for any losses incurred by you or third parties arising from the use of these information herein. AKM assumes no liability for infringement of any patent, intellectual property, or other rights in the application or use of such information contained herein.
- l Any export of these products, or devices or systems containing them, may require an export license or other official approval under the law and regulations of the country of export pertaining to customs and tariffs, currency exchange, or strategic materials.
- l AKM products are neither intended nor authorized for use as critical components^{Note1)} in any safety, life support, or other hazard related device or system^{Note2)}, and AKM assumes no responsibility for such use, except for the use approved with the express written consent by Representative Director of AKM. As used here:
 - Note1) A critical component is one whose failure to function or perform may reasonably be expected to result, whether directly or indirectly, in the loss of the safety or effectiveness of the device or system containing it, and which must therefore meet very high standards of performance and reliability.
 - Note2) A hazard related device or system is one designed or intended for life support or maintenance of safety or for applications in medicine, aerospace, nuclear energy, or other fields, in which its failure to function or perform may reasonably be expected to result in loss of life or in significant injury or damage to person or property.
- l It is the responsibility of the buyer or distributor of AKM products, who distributes, disposes of, or otherwise places the product with a third party, to notify such third party in advance of the above content and conditions, and the buyer or distributor agrees to assume any and all responsibility and liability for and hold AKM harmless from any and all claims arising from the use of said product in the absence of such notification.