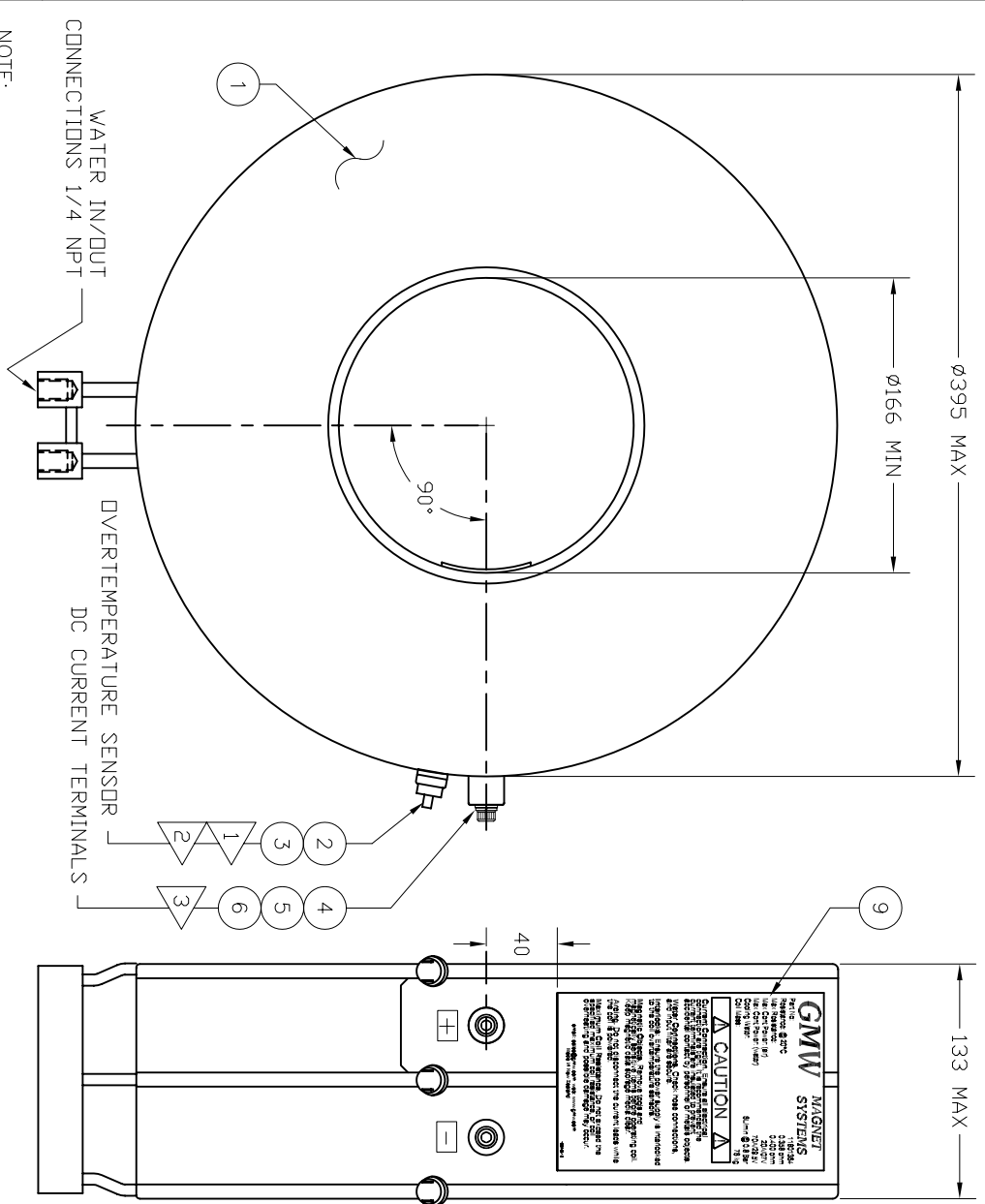


PROPRIETARY
 THIS DRAWING CONTAINS CONFIDENTIAL INFORMATION
 PROPRIETARY TO GMW, INC. IT MUST NOT BE
 REPRODUCED OR TRANSMITTED IN ANY FORM OR
 OTHER WAY IN WHOLE OR IN PART EXCEPT AS AUTHORIZED
 IN WRITING BY GMW, INC.



COIL DATA

TOTAL TURNS PER COIL 460
 COIL AMPERE TURNS = 32,200
 RESISTANCE @ 20°C 0.358 ohm (2 P/CAKES IN SERIES)
 MAX RESISTANCE 0.400 ohm (2 P/CAKES IN SERIES)
 MAX CONTINUOUS POWER (air) 20A/07V dc (0.14kW)
 MAX CONTINUOUS POWER (water) 70A/29.5V dc (2.07kW)
 COOLING (WATER) 6L/min @ 0.8 BAR (12 PSID)
 COIL MASS 76 kg

DO NOT EXCEED THE MAXIMUM SPECIFIED COIL RESISTANCE OR COIL OVERHEATING AND POSSIBLE DAMAGE MAY OCCUR.



ITEM	QTY	PART NUMBER	DESCRIPTION	NOTE
1	1	11801362	COIL [70 Amp]	
2	3	3450611-1	SENSOR 50° C, ELWOOD	
3	3		WASHER, NEOPRENE 16 x 4 x 4	
4	2	DIN 912	SHCS, M6 X 10, S/S	
5	2	DIN 125 A	WASHER, M6 FLAT S/S	
6	2	DIN 127 B	WASHER, M6 SPRING S/S	
7	2	2214P-4-4	45° STREET ELBOW 1/4 NPT, BRASS, PARKER	
8	2	30182-4-4B	HOSE COUPLING, 1/4 HOSE/NPT, BRASS, PARKER	
9	1	10907-0041-0	LABEL, SPECIFICATION-CAUTION [70 Amp]	

PARTS LIST

- NOTE:
1. APPLY A SMALL AMOUNT OF THERMAL GREASE TO THREAD ON SENSOR BEFORE FITTING ONTO COIL.
 2. THE OVERTEMPERATURE SENSOR SHOULD BE INTERLOCKED TO THE COIL POWER SUPPLY. IN THE EVENT OF COOLING WATER FAILURE THE SENSOR WILL OPEN CIRCUIT SHUTTING DOWN THE COIL POWER SUPPLY.
 3. DURING OPERATION DANGEROUS VOLTAGES CAN BE PRESENT AT THE COIL TERMINALS. IT IS RECOMMENDED THE TERMINALS ARE COVERED TO PREVENT ACCIDENTAL CONTACT OF PERSONNEL OR METAL TOOLS WITH THE LIVE TERMINALS. A METAL TOOL DROPPED ACROSS THE LIVE TERMINALS CAN PRODUCE A DANGEROUS ARC.

DRAWN G DOUGLAS	DATE	DO NOT SCALE FROM DRAWING DIMENSIONS & TOLERANCES (UNLESS OTHERWISE SPECIFIED)	<p>955 Industrial Rd, San Carlos, CA 94070 Tel: (650)802-8292, Fax: (650)802-8298.</p>
CHECK	DATE	ENGINEERING	
SOFTWARE AUTOCAD 2000	SYSTEM	FINISH 63° 1.6°	THIRD ANGLE PROJECTION
SCALE 1:2	WT kg	SIZE A2	DRAWING NO. 11801364
SHEET 1	OF 1	REV A	TITLE COIL ASSEMBLY MODEL: 3473-70